

4

3

2

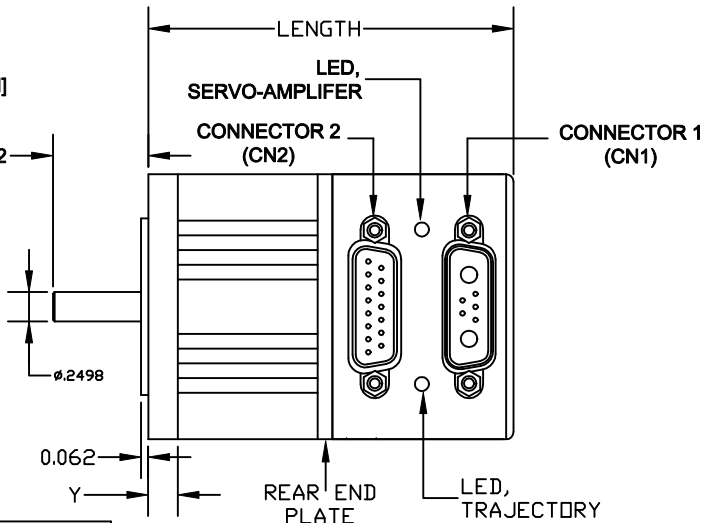
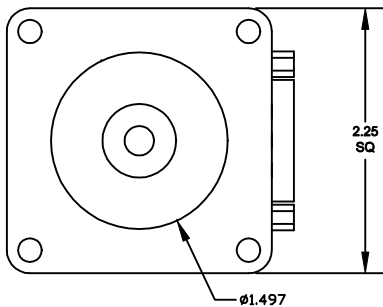
1

PART NO.
SM2300D

PART REVISIONS				
ECO	REV	DESCRIPTION	DATE	APPROVED
	1	PRODUCTION RELEASE	1/24/00	
	2	REVISED PINDUT	10/3/00	
	3	ADDED I/O FUNCTION TO TABLE	2/27/01	
	4	ADD SM2337D-T,ADD NOTE 5	1/9/02	

- NOTES: 1) INTERNAL 500 LINE ENCODER , 2000 ENCODER COUNTS PER REVOLUTION. INDEX LINE ON ENCODER WHEEL.
- 2) TIED INTERNALLY: TX : CN2 PIN 10 TO CN1 PIN 3
RX : CN2 PIN 11 TO CN1 PIN 4
+5V : CN2 PIN 12 TO CN1 PIN 2
GND : CN2 PIN 13, CN2 PIN 14 AND CN1 PIN 5 TIED TO CN1 PIN A2
PWR : CN2 PIN 15 TO CN1 PIN A1
- 3) FOR HIGH SPEED OR HIGH TORQUE OPERATION USE POWER PIN A1 AND A2 ON CN1.
- 4) LED, SERVO-AMPLIFER INDICATOR: RED = SERVO-AMPLIFER OFF [DEFAULT STATE]
GREEN= SERVO-AMPLIFER ON OR SERVO-ING IN PLACE
LED, TRAJECTORY INDICATOR: GREEN = NOT IN CONTROLLED TRAJECTORY [DEFAULT STATE]
GREEN= IN CONTROLLED TRAJECTORY [CONTROLLED MOTION]
- 5) FINISH: MOTOR FRONT END PLATE, MOTOR BODY AND CONTROLLER HOUSING IS BLACK ANODIZE.
MOTOR REAR END PLATE FINISH IS ANODIZE, COLOR LISTED IN TABLE BELOW.

MODEL	COLOR OF REAR END PLATE
SM2310D,SM2320D,SM2330D,SM2340D	BLACK
SM2337D	GREY
SM2337D-T	RED



D

D

C

C

B

B

A

A

CONNECTOR 2: 15 PIN D-SUB FEMALE CONNECTOR				
PIN#	NAME	FUNCTIONS	DIGITAL I/O (TTL)	ANALOG INPUT (10 bit)
1	Port A	External Encoder A Input	Step Input	5V 0 to 5V
2	Port B	External Encoder B Input	Direction Input	5V 0 to 5V
3	Port C	Right Limit Input		5V 0 to 5V
4	Port D	Left Limit Input		5V 0 to 5V
5	Port E	Anlink Data	RS-485 Signal A	5V 0 to 5V
6	Port F	Anlink Clock	RS-485 Signal B	5V 0 to 5V
7	Port G	G-Synchronization Pin	RS-485 Adapter Flow Control Line	5V 0 to 5V
8	ENCA OUT	Encoder A Output		
9	ENCB OUT	Encoder B Output		
10	RS232 TX	RS232-Transmit		
11	RS232 RX	RS232-Receive		
12	+5V OUT	+5V Out		
13	GND	Signal Ground		
14	PWR GND	Power Ground		
15	PPOWER	Power, +20V to 48V		

CONNECTOR 1: 7 PIN COMBO D-SUB MALE CONNECTOR		
PIN#	NAME	FUNCTIONS
1	Port G	G-Synchronization Pin
2	+5V OUT	+5V Out
3	RS232 TX	RS232-Transmit
4	RS232 RX	RS232-Receive
5	GND	Signal Ground
A1	PPOWER	Power,+20V to 48V
A2	PWR GND	Power Ground

PART NUMBER	LENGTH [INCH]	'Y' DIM [INCH]
SM2310D	3.170	
SM2320D	3.820	0.250
SM2330D	4.470	
SM2337D	4.540	0.188
SM2337D-T	4.540	
SM2340D	5.120	0.250

ITEM NO.	QTY	PART NO.	DESCRIPTION	MATERIAL SPECIFICATION
PARTS LIST				
UNLESS OTHERWISE SPECIFIED, DIMENSIONS & TOLERANCES ARE PER ANSI Y14.5M AND ARE IN INCHES. TOLERANCES ARE AS FOLLOWS: DECIMALS XXX± ANGLES ± XXXXX				
MATERIAL: ALUMINUM		THIRD ANGLE PROJECTION		TITLE: ANIMATICS SM2300D SERIES SIZE 23, D-SUB I/O
FINISH: SEE NOTE 5		APPROVALS	DATE: 1/8/02	
		ENGINEER	SCALE	
		SIZE: B	COMPUTER GENERATED DRAWING	PART NO.: SM2300D
		SIMILAR TO:	CAD FILE NAME	REV: 4
				SHEET 1 OF 1

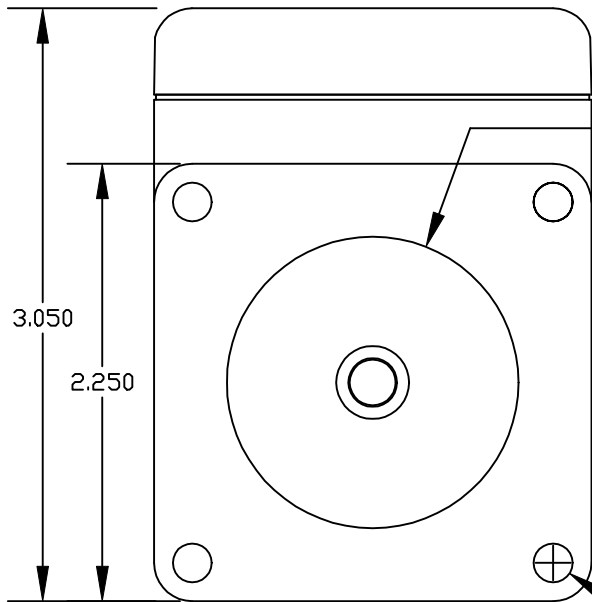
4

3

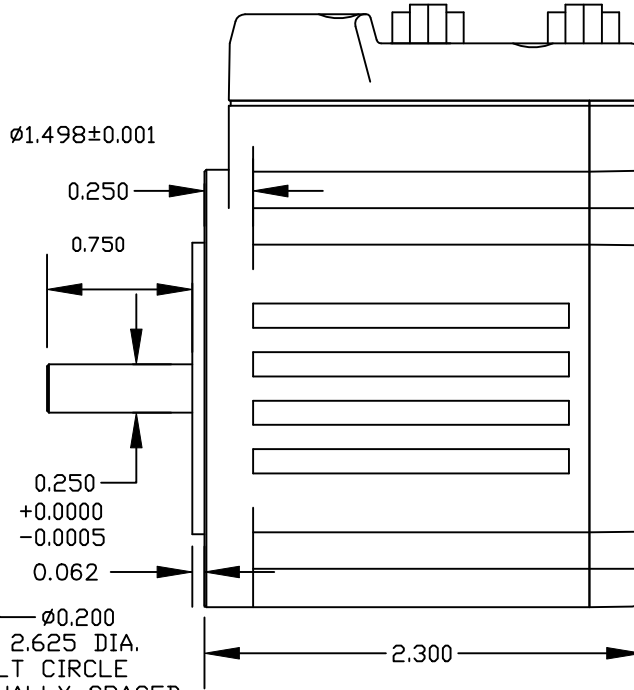
2

1

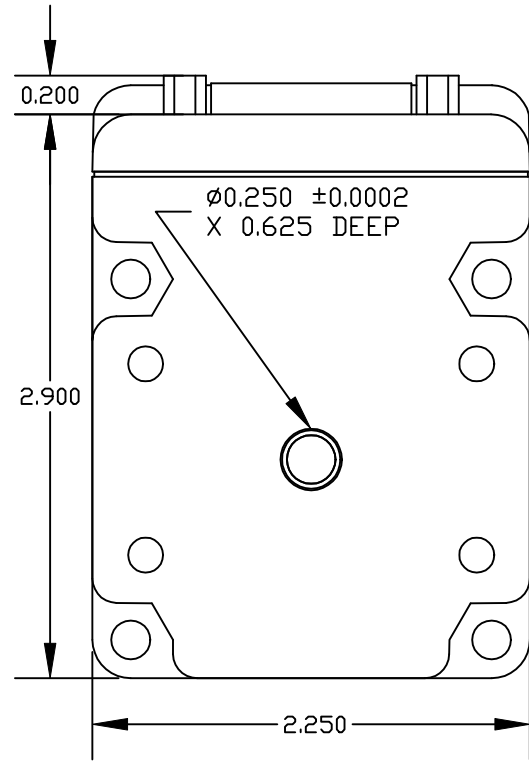
NOTE: 1 REFER TO DRAWING '2315D PINOUT' FOR CONNECTOR PINOUTS AND FUNCTION



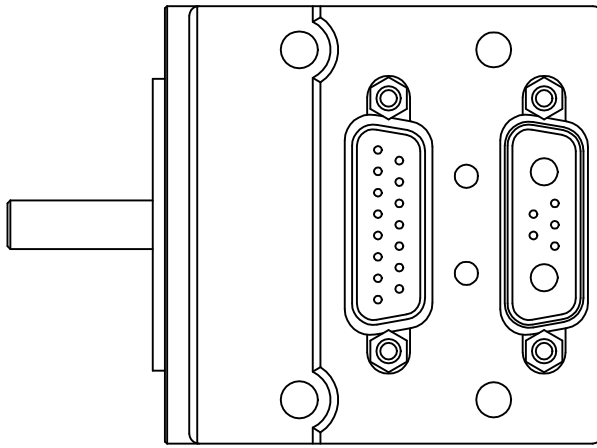
FRONT



SIDE



REAR



TOP

TITLE: SM2315D TRUE SERVO	
REV: 2	MATERIAL: CAST ALUMINUM
DATE: 3/1/01	FINISH: BLACK POWDER COAT
TOL: X.XXXX +/- .005 X.XXX +/- .005 INCHES X.XX +/- .01	ANIMATICS CORPORATION 3050 TASMAN DR. SANTA CLARA
UNLESS OTHERWISE NOTED	