

PART NO.
CBLPWRCOM-X

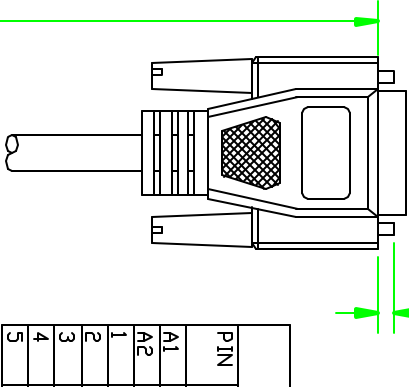
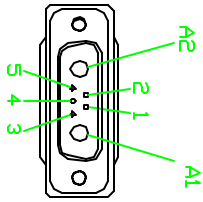
PART REVISIONS				
ECO	REV	DESCRIPTION	DATE	APPROVED
3024	1	PRODUCTION RELEASE	02/13/02	MT
	2	CHANGED OVERMOLD SHAPE	01/31/03	MT

NOTES:
1 PN CBLPWRCOM-X IS A POWER AND COMMUNICATION CABLE FOR SMARTMOTOR, SMC200, SMC300, SMC400, SMC400D SERIES SMARTMOTOR.
WHERE "X" IS THE LENGTH IN METERS. AVAILABLE IN LENGTHS 3, 5 & 10 METER. THE PART NUMBERS ARE:
CBLPWRCOM-3M CBLPWRCOM-5M CBLPWRCOM-10M
LENGTH 9'-9" (<3 METER) 16'-4" (<5 METER) 32'-9" (<10 METER)
2 CONNECTOR OVERMOLDED HOOD WITH STRAIN RELIEF.
3 TYPICAL OVERMOLD SHOWN.

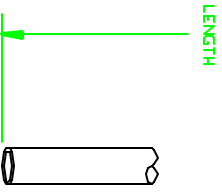
3 MATERIALS:

- 3A CONNECTOR: FEMALE 7WE CONNECTOR, SHELL SIZE 2, UL RECOGNIZED CONTACTS A1 & A2 -MACHINED, GOLD FLASH, RATED 20AMP CONTINUOUS CONTACTS 1 TO 5, -MACHINED, GOLD FLASH/RATED 1AMP CONTINUOUS

- 3B CABLE & INSULATION: UL RECOGNIZED 3C HARDWARE: 4-40 X 1/8 INCH THREADED, KNURLED (PREFERRED), SLOTHEAD THUSDSCREWS
- 4 CABLE SHIELD CONNECTED TO CONNECTOR SHELL.
- 5 CUT CABLE INSULATION TO LENGTH. DO NOT STRIP WIRE INSULATION OR TVIST WIRES.



PIN	DESCRIPTION	COLOR	AW/G
A1	POWER INPUT	RED	14
A2	POWER GROUND	BLACK	
1	I/O PIN G	NOT CONNECTED	26
2	5V OUT	RED	
3	RS232 TRANSMITT	BLUE	
4	RS232 RECEIVE	YELLOW	
5	SIGNAL GROUND	BLACK	



TEN	INT	PART NO.	DESCRIPTION	MATERIAL	STOCK POSITION
			PARTS LIST		

UNLESS OTHERWISE SPECIFIED DIMENSIONS & TOLERANCES ARE PER ANSI Y14.5M AND ARE IN INCHES. TOLERANCES ARE AS FOLLOWS:		
MATERIAL	APPROVALS	DATE
DRWN: C		2/12/02
CHKD:		
ENGR:		
SCALE		

TITLE			
SMARTMOTOR CABLE POWER & COM CABLE			
SIZE	COMPUTER GENERATED DRAWING	PART NO.	REV
B		CBLPWRCOM-X	2
SCALE			

PARTS LIST			
QTY	DESCRIPTION	MATERIAL	STOCK POSITION

